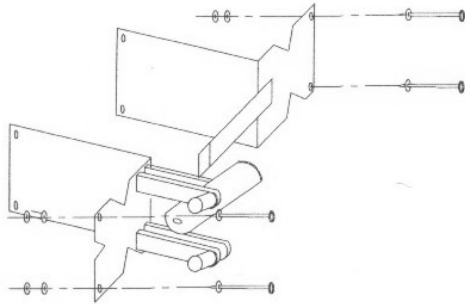
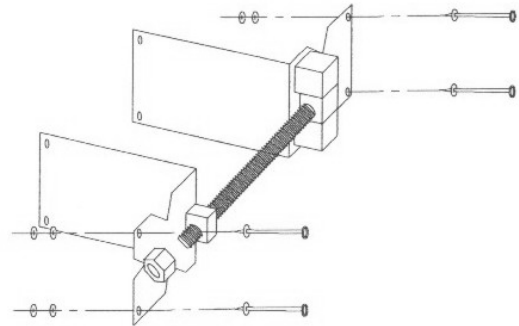


Align gate with the fence using blocks to lift and hold gate making sure there is a minimum of 1-1/2" gap on each side of gate for clearance. Fasten hardware to posts and stiles. Install gate hinges so one bolt goes through the rail inside the post and the post to anchor them together.



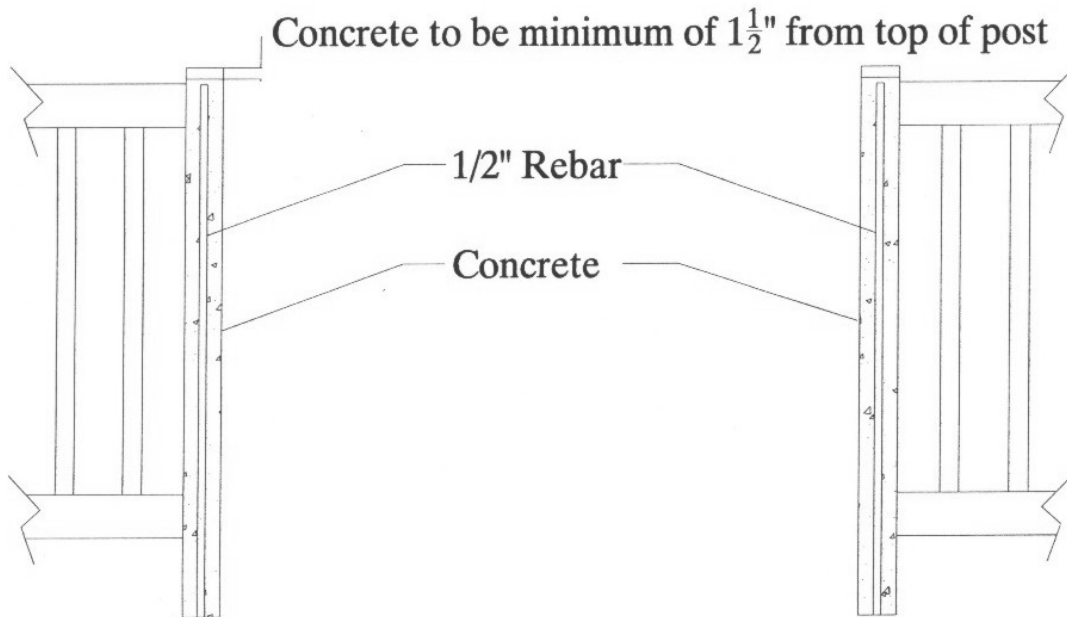
Latch



Hinge

GATEPOSTS MUST BE FILLED WITH CONCRETE AFTER HARDWARE HAS BEEN ATTACHED.

Insert two pieces of 1/2" rebar the length of the post in opposite corners with top of rebar 2" from the top of the post. Using a funnel, fill gateposts with concrete covering the rebar. The gate must be blocked up or removed until the gateposts have set for at least 24 hours.



* For additional directions, read the instructions included with the Latch Kit.

2-Way Latch
Self-Closing Hardware
(not pictured)